

Door Operator

High Performance Door Operator with Integrated Encoder



BTR Controls' **Door Operator** is specifically designed for industrial powered doors and offers the highest performance available in the industry. No matter what size door you are using for your specific application, this next-generation technology results in smoother, faster, longer-lasting door functionality.



OPTIMIZE PERFORMANCE

Next-generation technology resulting in smoother, faster, longer-lasting door functionality.



DURABLE DESIGN

Designed and manufactured for rugged commercial door applications.



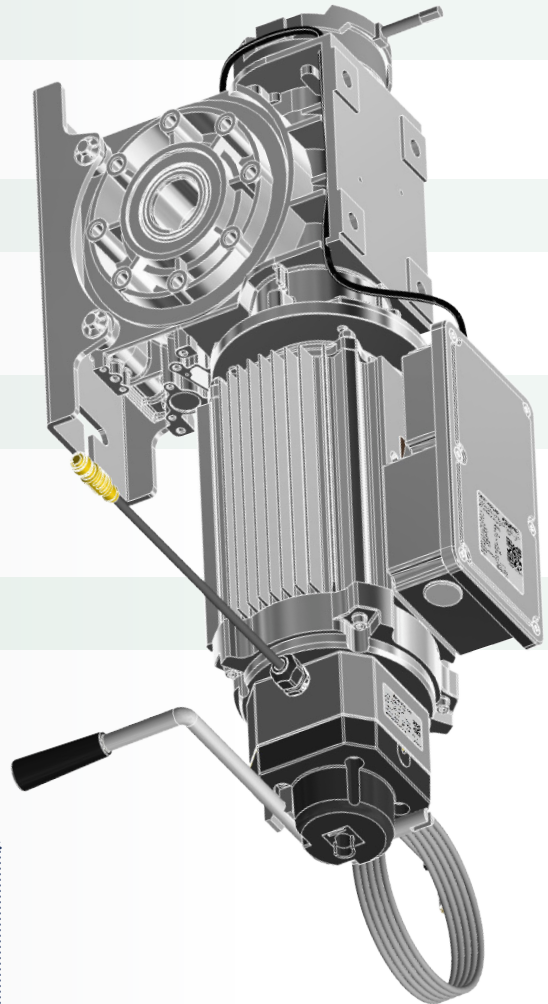
EASY INSTALLATION

Operator unit comes fully assembled with parking brake and absolute encoder installed.



UNIVERSAL COMPATIBILITY

100% scalable. Easily connects with BTR Controllers and compatible with other door controllers.



Standard Specifications - 2 Models

Catalog #:	HPO-180.112	HPO-230.084
Part #:	90-300-0000	90-300-0001
MN [Nm]	180	230
N2 [min-1]	112	84
U [V]	230/460	230/460
f [Hz]	60	60
I [A]	9.1/5.2	9.1/5.2
P [kW]	2.2	2.2
Protection	IP 55	IP 55
Duty Rating	S3-40%	S3-40%
Cycles/Hour	30	30
cos ∞	0.78	0.78
Operating Temp	23°F - 104°F	23°F - 104°F
Shaft	1.5in [38.1mm]	1.5in [38.1mm]
Brake	15Nm/205VDC	15Nm/205VDC

Models Available:

180Nm 112RPM
230Nm 84RPM

Discover the BTR Advantage

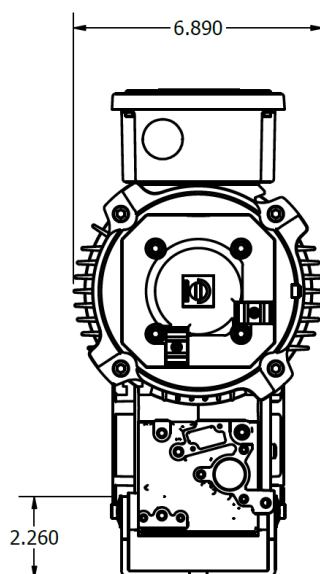
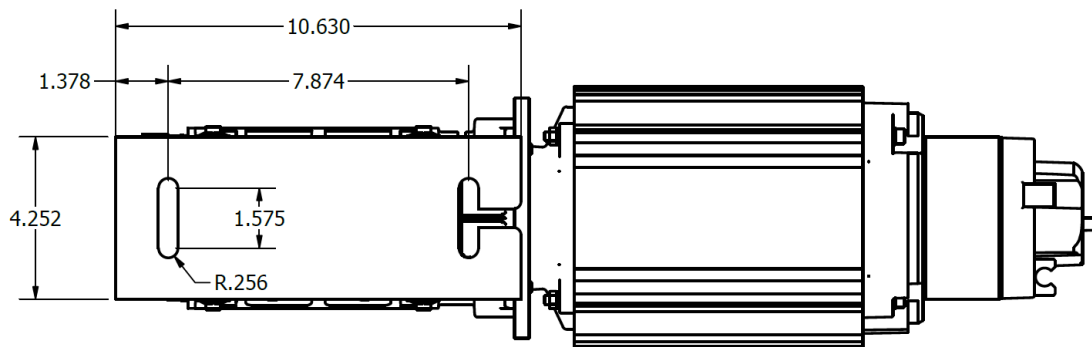
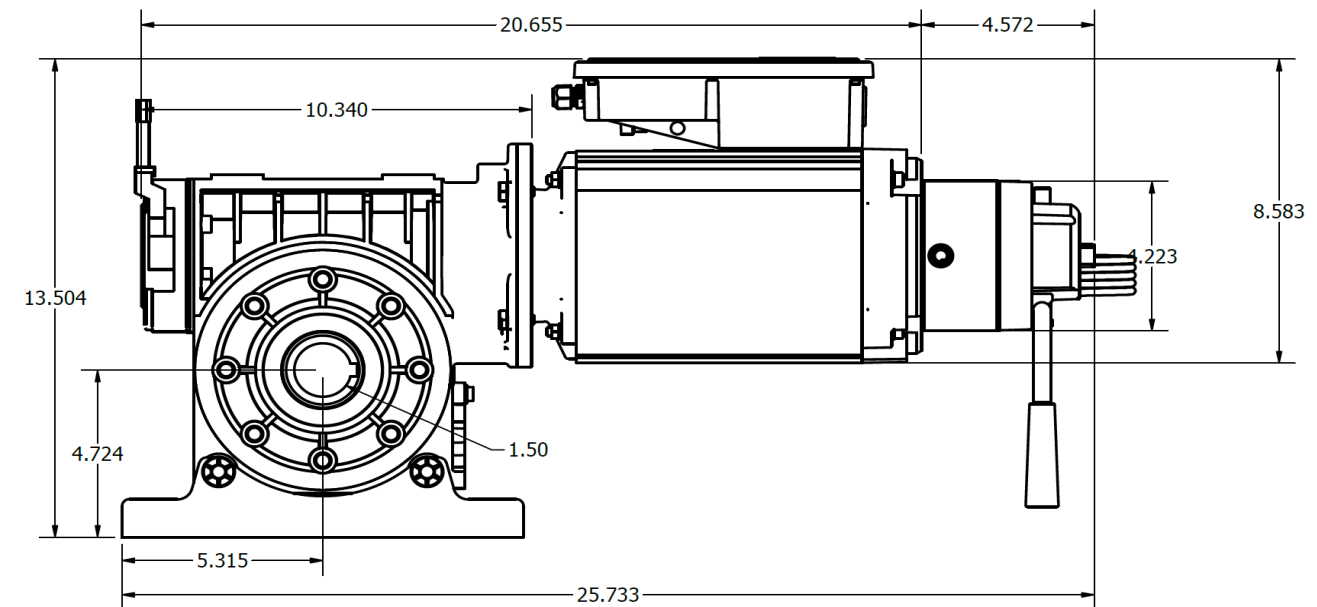
- › Custom engineered solutions
- › Specialized manufacturing services
- › Universally compatible

Visit www.btrcontrols.com for additional information about the Door Operator and BTR Controls' full line of products and services.

BTR Controls Inc. 1570 Todd Farm Drive, Elgin, IL 60123 | 847.608.9500 | www.btrcontrols.com

Door Operator

High Performance Door Operator with Integrated Encoder



Discover the BTR Advantage

- › Custom engineered solutions
- › Specialized manufacturing services
- › Universally compatible

Visit www.btrcontrols.com for additional information about the Door Operator and BTR Controls' full line of products and services.